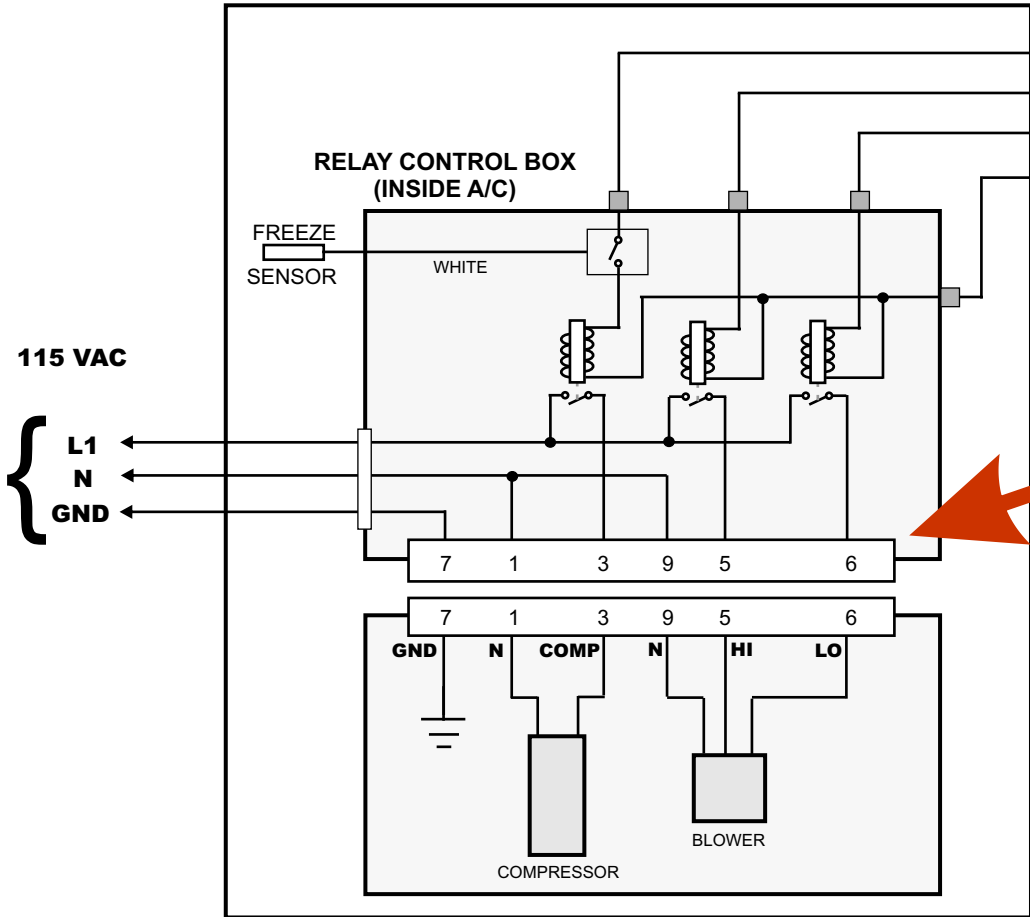
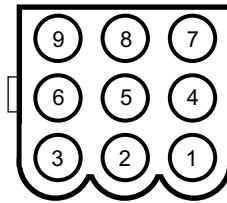
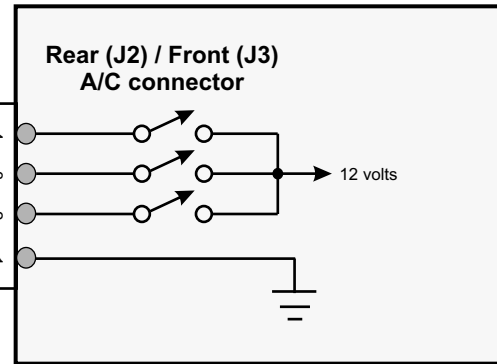


A/C UNIT



WAITER ECC CONTROL MODULE



VIEW - FEMALE PINS
Looking at
connector on Relay Box

- 1) 115 "N" (comp & reversing valve)
- 2) Reversing valve (heat pump only)
- 3) Compressor
- 4) Heat Element Power (Elec Heat)
- 5) Blower high speed
- 6) Blower low speed
- 7) Ground
- 8) No connection
- 9) 115 "N" (blower)

Simplified A/C control
Waiter ECC / Legacy
www.WaiterECC.com